



BOLLARD
P R O O F L T D



BOLLARD TEST QUESTIONNAIRE

PORT INFORMATION

Organisation:

Address:

Contact:

Email:

Telephone:

BERTH INFORMATION

Continuous jetty: Dolphin:

Vessel type(s):

Vessel size(s):

Tidal range:

Age of berth:

BOLLARD INFORMATION

Bollard material:

Bollard Type:

Bollard make:

Bollard capacity:

Vertical angle:

Horizontal angle:

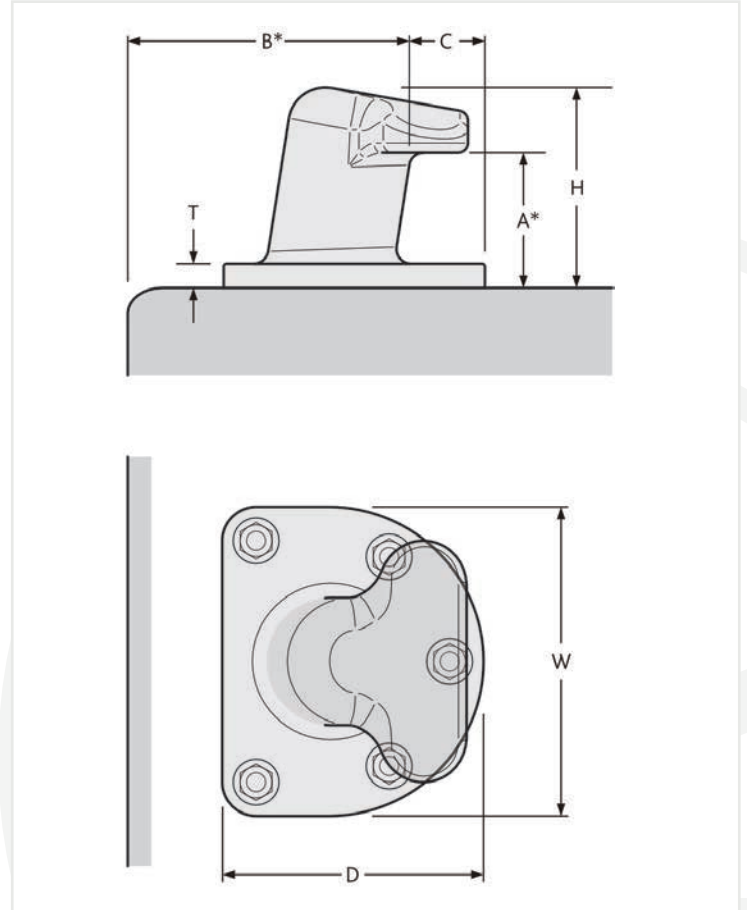
Bollard age:

Quantity of bollards:

Quantity to be tested:

BOLLARD DIMENSIONS

The following dimensions are necessary for placing the test rig:



A*	B*	C	D	W	H	T

*These dimensions are critical for the setting out position of the rig

ADDITIONAL INFORMATION

Please provide as much supportive information as possible, including as-built construction drawings, plus photographs of the bollard(s), and any potential obstacles such as kerbs, crane rail and fenders etc.

